



XBD型卧式单级双吸消防泵 XBD-Diesel Fire Pump



性能及优点

符合GB6245-98《消防泵性能要求和试验方法》,启动特好,过载能力强,结构紧凑,维修方便,自动化程度高,性能可靠设备压力、流量范围广

使用范围

消防—消防栓系统、喷淋系统、喷洒降温系统、泡沫系统、水炮系统
工业—给水系统、冷却循环系统
冶炼—给水循环系统、冷却循环系统
军用—野外给水系统、海岛淡水收集系统
供热—给水循环系统、冷却循环系统
市政—应急排水
农业—排灌系统

技术参数

流量: 10~500L/s
压力: 0.3~2.5MPa
转速: 1500~2000r/min
功率: 10~300kW
工作压力: ≤ 2.5 MPa
介质温度: $\leq 100^{\circ}\text{C}$

Performance and Advantages

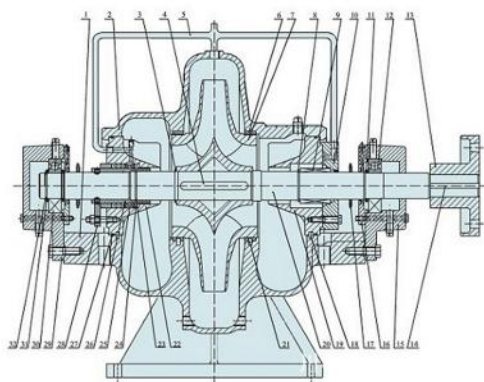
It conforms to GB6245-98 Performance Requirements and Test Methods for Fire Pumps, which has a good starting characteristic, a strong overload capacity, compact structure, easy maintenance, a high degree of automation, reliable performance and a wide range of pressure and flow.

Application Scope

Fire control-Fire hydrant, spraying, sprinkling & cooling, foaming, and fire water monitor systems
Industry-Water supply and cooling circulation systems
Smelting-Water supply and cooling circulation systems
Military-Field water supply and island fresh water collecting systems
Heat supply-Water supply and cooling circulation systems
Public works-Emergency water drainage
Agriculture-Irrigation and drainage system

Technical Parameters

Flow : 10~500L/s
Pressure : 0.3~2.5MPa
Rotation speed : 1500~2000r/min
Power : 10~300kW
Working pressure : ≤ 2.5 MPa
Medium temperature : $\leq 100^{\circ}\text{C}$



1	泵体 pump casing	8	机械挡圈 mechanical seal	15	轴承体甲 bearing body A	22	密封体(填料密封用) Seal body(for stuffing seal)	29	轴承体乙 bearing body B
2	泵盖 pump cover	9	机械密封 mechanical seal	16	轴承压盖 seal gland	23	O型密封圈 O-seal ring	30	轴承 bearing
3	轴用弹性挡圈 use elastic haffle	10	机械密封压盖 mechanical seal gland	17	挡水圈 water baffle	24	填料 stuffing	31	轴承挡圈 bearing baffle
4	键 key	11	轴用弹性挡圈 use elastic baffle	18	圆柱销 column pin	25	填料环 stuffing ring	32	轴用弹性挡圈 use elastic baffle
5	水冲洗管部件 water-rinsing pipe part	12	轴承 bearing	19	密封体(机械密封用) Seal body(Mechanical seal)	26	填料轴套 stuff muff		
6	密封环 seal-ring	13	泵联 pump linkage	20	轴 shaft	27	O型密封圈 O-seal ring		
7	叶轮 impeller	14	键 key	21	圆柱销 column pin	28	填料压盖部件 packing gland part		